



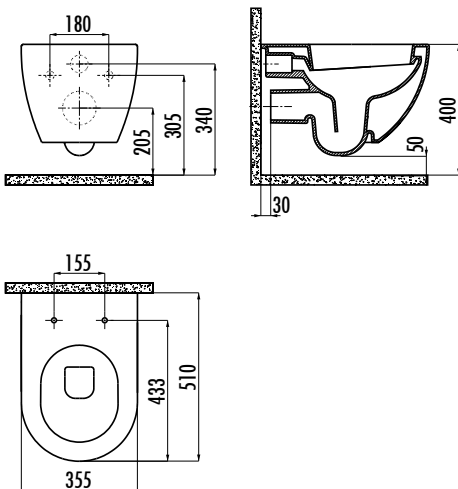
## FREE WALL HUNG PAN

FE320-00MB00E-0000

<b>FE320-00MB00E-0000</b>	Free Wall Hung Pan Combined Bidet - Pearl White Matt
<b>FE320-11MB00E-0000</b>	Free Wall Hung Pan - Pearl White Matt
<b>KC0903.02.0000E</b>	Duck Duroplast Soft Closing White Seat&Cover

<b>Qty of Pallet:</b>	Pan + Seat&Cover 24
<b>Qty of Box:</b>	1 Set
<b>Weight:</b>	Pan 24,68 kg · Seat&Cover 2,55 kg

### TECHNICAL DRAWING



### SPECIFICATIONS



There is only hidden connection for the self cleaning pipe&internal mechanism. Not suitable for side connection.

Creavit keeps its rights of making any change to the products.



Quality Management Systems



Customer Satisfaction Certificate



Environmental Management System



Occupational Safety & Health Management System

**LGA**

Germany Accreditation Certificate

**kiwa**

Netherlands Accreditation Certificate

**GOST - R**

Russia Accreditation Certificate

**UkrSEPRO**

Ukraine Accreditation Certificate



Israel Accreditation Certificate



Nigeria Accreditation Certificate



European Accreditation Certificate



Turkish Accreditation Certificate